

Datalogic Scanning, Inc.  
 959 Terry Street  
 Eugene, Oregon 97402  
 USA  
 Telephone: (541) 683-5700  
 Fax: (541) 345-7140

An Unpublished Work - All rights reserved. No part of the contents of this documentation or the procedures described therein may be reproduced or transmitted in any form or by any means without prior written permission of Datalogic Scanning, Inc. or its subsidiaries or affiliates ("Datalogic" or "Datalogic Scanning"). Owners of Datalogic products are hereby granted a non-exclusive, revocable license to reproduce and transmit this documentation for the purchaser's own internal business purposes. Purchaser shall not remove or alter any proprietary notices, including copyright notices, contained in this documentation and shall ensure that all notices appear on any reproductions of the documentation. Should future revisions of this manual be published, you can acquire printed versions by contacting your Datalogic representative. Electronic versions may either be downloadable from the Datalogic website (www.scanning.datalogic.com) or provided on appropriate media. If you visit our website and would like to make comments or suggestions about this or other Datalogic publications, please let us know via the "Contact Datalogic" page.

**DISCLAIMER**

Datalogic has taken reasonable measures to provide information in this manual that is complete and accurate, however, Datalogic reserves the right to change any specification at any time without prior notice. Datalogic is a registered trademark of Datalogic S.p.A. in many countries and the Datalogic logo is a trademark of Datalogic S.p.A. all licensed to Datalogic Scanning, Inc. All other trademarks and trade names referred to herein are property of their respective owners.

**SERVICE AND SUPPORT**

Datalogic provides several services as well as technical support through its website. Log on to [www.scanning.datalogic.com](http://www.scanning.datalogic.com) and click on the links indicated for further information including:

- **PRODUCTS**  
 Search through the links to arrive at your product page where you can download specific **Manuals and Software & Utilities** including:
  - **Datalogic Aladdin™**, a multi-platform utility program that allows device configuration using a PC. It provides RS-232 interface configuration as well as configuration barcode printing.
- **SERVICE & SUPPORT**
  - **Technical Support** - Product documentation and programming guides and Technical Support Department in the world
  - **Service Programs** - Warranty Extensions and Maintenance Agreements
  - **Repair Services** - Flat Rate Repairs and Return Material Authorization (RMA) Repairs.
  - **Downloads** - Manuals & Documentation, Data Sheets, Product Catalogues, etc.
- **CONTACT US**  
 Information Request Form and Sales & Service Network

**WARRANTY**

Datalogic warrants this product against defects in workmanship and materials, for a period of 3 years from the date of shipment, provided that the product is operated under normal and proper conditions. Datalogic has the faculty to repair or replace the product; these provisions do not prolong the original warranty term. The warranty does not apply to any product that has been subject to misuse, accidental damage, unauthorized repair or tampering.

Datalogic Scanning, Inc.  
 959 Terry Street  
 Eugene, OR 97402  
 USA



dichiara che  
 declares that the  
 déclare que le  
 bescheinigt, daß das Gerät  
 declare que el

**POWERSCAN Dxxx**  
 e tutti i suoi modelli  
 and all its models  
 et tous ses modèles  
 und seine Modelle  
 y todos sus modelos

sono conformi alle Direttive del Consiglio Europeo sottoelencate:  
 are in conformity with the requirements of the European Council Directives listed below:  
 sont conformes aux spécifications des Directives de l'Union Européenne ci-dessous:  
 den nachstehenden angeführten Direktiven des Europäischen Rats:  
 cumple con los requisitos de las Directivas del Consejo Europeo, según la lista siguiente:

<b>89/336/EEC EMC Directive</b>	<b>92/31/EEC, 93/68/EEC</b>	emendamenti successivi further amendments ses successifs amendements späteren Abänderungen successivas enmiendas
e and et und y		

Basate sulle legislazioni degli Stati membri in relazione alla compatibilità elettromagnetica ed alla sicurezza dei prodotti.  
 On the approximation of the laws of Member States relating to electromagnetic compatibility and product safety.  
 Basée sur la législation des Etats membres relative à la compatibilité électromagnétique et à la sécurité des produits.  
 Über die Annäherung der Gesetze der Mitgliedsstaaten in bezug auf elektromagnetische Verträglichkeit und Produktsicherheit entsprechen.  
 Basado en la aproximación de las leyes de los Países Miembros respecto a la compatibilidad electromagnética y las Medidas de seguridad relativas al producto.

Questa dichiarazione è basata sulla conformità dei prodotti alle norme seguenti:  
 This declaration is based upon compliance of the products to the following standards:  
 Cette déclaration repose sur la conformité des produits aux normes suivantes:  
 Diese Erklärung basiert darauf, daß das Produkt den folgenden Normen entspricht:  
 Esta declaración se basa en el cumplimiento de los productos con las siguientes normas:

<b>EN 55022 (CLASS A ITE), August 1994: AMENDMENT A1 (CLASS A ITE), October 2000:</b>	LIMITS AND METHODS OF MEASUREMENTS OF RADIO DISTURBANCE CHARACTERISTICS OF INFORMATION TECHNOLOGY EQUIPMENT
<b>EN 61000-6-2, October 2001:</b>	ELECTROMAGNETIC COMPATIBILITY (EMC). PART 6-2: GENERIC STANDARDS - IMMUNITY FOR INDUSTRIAL ENVIRONMENTS.

March 1st, 2007



**PowerScan® D8330  
 READERS**

**QUICK REFERENCE GUIDE**



820001940 (Rev. D) 02/08

**UPDATES AND LANGUAGE AVAILABILITY**

**UK/US**

The latest drivers and documentation updates for this product are available on Internet.  
 Log on to: [www.scanning.datalogic.com](http://www.scanning.datalogic.com)

**I**

Su Internet sono disponibili le versioni aggiornate di driver e documentazione di questo prodotto. Questo manuale è disponibile anche nella versione italiana.  
 Collegarsi a: [www.scanning.datalogic.com](http://www.scanning.datalogic.com)

**F**

Les versions mises à jour de drivers et documentation de ce produit sont disponibles sur Internet. Ce manuel est aussi disponible en version française.  
 Cliquez sur : [www.scanning.datalogic.com](http://www.scanning.datalogic.com)

**D**

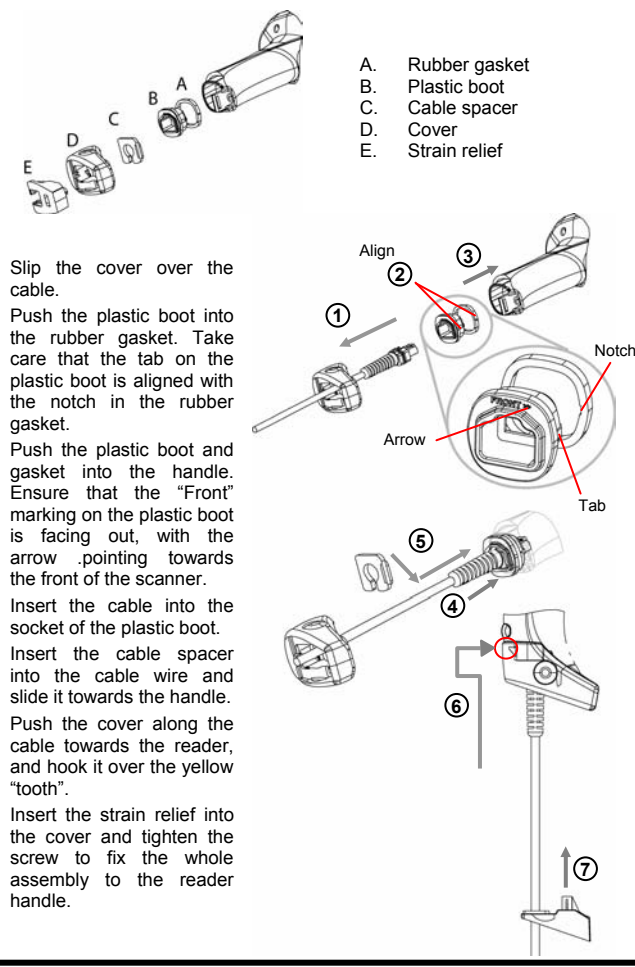
Im Internet finden Sie die aktuellsten Versionen der Treiber und Dokumentation für dieses Produkt. Die deutschsprachige Version dieses Handbuchs ist auch verfügbar.  
 Adresse : [www.scanning.datalogic.com](http://www.scanning.datalogic.com)

**E**

En Internet están disponibles las versiones actualizadas de los drivers y documentación de este producto. También está disponible la versión en español de este manual.  
 Dirección Internet : [www.scanning.datalogic.com](http://www.scanning.datalogic.com)

**CONNECTIONS**

**CONNECTING THE CABLE**

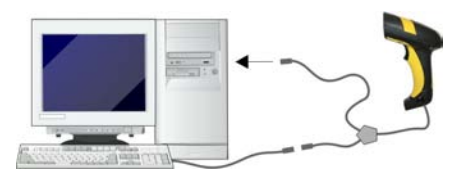


- ① Slip the cover over the cable.
- ② Push the plastic boot into the rubber gasket. Take care that the tab on the plastic boot is aligned with the notch in the rubber gasket.
- ③ Push the plastic boot and gasket into the handle. Ensure that the "Front" marking on the plastic boot is facing out, with the arrow pointing towards the front of the scanner.
- ④ Insert the cable into the socket of the plastic boot.
- ⑤ Insert the cable spacer into the cable wire and slide it towards the handle.
- ⑥ Push the cover along the cable towards the reader, and hook it over the yellow "tooth".
- ⑦ Insert the strain relief into the cover and tighten the screw to fix the whole assembly to the reader handle.

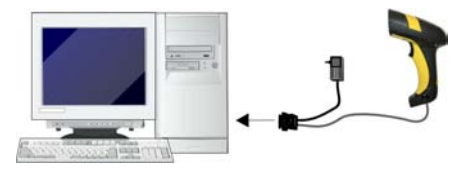
**USB**



**WEDGE**



**RS-232**



**PEN**



**COMPLIANCE**

**LASER SAFETY COMPLIANCE**

The laser scanner conforms to the applicable requirements of both CDRH 21 CFR 1040 and EN60825-1 at the date of manufacture.

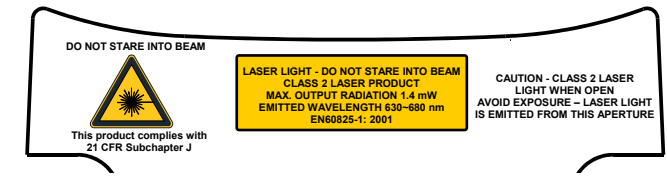
The laser light is visible to the human eye and is emitted from the output window ①.

Laser warning and classification label ②.



**CAUTION:**  
 Use of controls or adjustments or performance of procedures other than those specified herein may result in exposure to hazardous visible laser light.  
 The laser scanner utilizes a low-power laser diode. Although staring directly at the laser beam momentarily causes no known biological damage, avoid staring at the beam as one would with any very strong light source, such as the sun. Avoid that the laser beam hits the eye of an observer, even through reflective surfaces such as mirrors, etc.

The following information is shown on the laser scanner device class label:



<b>ITALIANO</b>	<b>LUCE LASER NON FISSARE IL RAGGIO APPARECCHIO LASER DI CLASSE 2</b>
<b>FRANÇAIS</b>	<b>RAYON LASER EVITER DE REGARDER LE RAYON APPAREIL LASER DE CLASSE 2</b>
<b>DEUTSCH</b>	<b>LASERSTRAHLUNG NICHT IN DEN STRAHL BLICKEN PRODUKT DER LASERKLASSE 2</b>
<b>ESPAÑOL</b>	<b>RAYO LÁSER NO MIRAR FIJO EL RAYO APARATO LÁSERDE CLASE 2</b>

**LED CLASS**

Class 1 LED product.  
 This product conforms to EN60825-1:2001.

**CE COMPLIANCE**

**Warning:**  
 This is a Class A product. In a domestic environment this product may cause radio interference in which case the user may be required to take adequate measures.

**FCC COMPLIANCE**

Modifications or changes to this equipment without the expressed written approval of Datalogic could void the authority to use the equipment.

This device complies with PART 15 of the FCC Rules. Operation is subject to the following two conditions: (1) This device may not cause harmful interference, and (2) this device must accept any interference received, including interference which may cause undesired operation.

This equipment has been tested and found to comply with the limits for a Class A digital device, pursuant to part 15 of the FCC Rules. These limits are designed to provide reasonable protection against harmful interference when the equipment is operated in a commercial environment. This equipment generates, uses, and can radiate radio frequency energy and, if not installed and used in accordance with the instruction manual, may cause harmful interference to radio communications. Operation of this equipment in a residential area is likely to cause harmful interference in which case the user will be required to correct the interference at his own expense.

**POWER SUPPLY**

This device is intended to be connected to a UL Listed/CSA Certified computer which supplies power directly to the reader or else be supplied by a UL Listed/CSA Certified Power Unit marked "Class 2" or LPS power source rated 4 - 30 V, minimum 420 mA, which supplies power directly to the reader via the power connector of the cable.

**WEEE COMPLIANCE**

For information about the disposal of Waste Electrical and Electronic Equipment (WEEE), please refer to the website at [www.scanning.datalogic.com](http://www.scanning.datalogic.com).

**PATENTS**

This product is covered by one or more of the following patents:  
 Design Pat. AU 310201; AU 310202; CN 693980; HK 0602013.5M001; HK 0602013.5M002; JP 1305693; KR 30-0460940.

US Pat. 5,992,740; 6,305,606 B1; 6,808,114 B1; 6,997,385 B2; 5,103,080; 5,262,627; 5,367,151; 5,449,893; 5,545,889; 5,917,173; 5,923,025; 5,945,659; 6,098,877; 6,220,514 B1; 6,607,132 B1; 6,817,529 B2; 6,834,805 B2.

European Pat. 789,315 B1; 895,175 B1; 1,128,315 B1.

Additional patents pending.

## DEFAULT VALUES

### USB-KBD DEFAULT SETTINGS

USA keyboard, FIFO enabled, inter-character and inter-code delays disabled, USB keyboard speed normal.

DATA FORMAT: code identifier disabled, no field adjustment, code length not transmitted, no header, terminator = ENTER, character replacement disabled.

### RS-232 Standard DEFAULT SETTINGS

9600 baud, no parity, 8 data bits, 1 stop bit, no handshaking, delay disabled, rx timeout 5 sec., ack/nack disabled, FIFO enabled, inter-character delay disabled, serial trigger lock disabled.

DATA FORMAT: code identifier disabled, no field adjustment, code length not transmitted, no header, terminator = CR-LF, character replacement disabled.

### WEDGE DEFAULT SETTINGS

USA keyboard, caps lock off, caps lock auto-recognition enabled, num lock unchanged, inter-character and inter-code delays disabled, control character emulation = ctrl+shift+key.

DATA FORMAT: code identifier disabled, no field adjustment, code length not transmitted, no header, terminator = ENTER, character replacement disabled.

### PEN DEFAULT SETTINGS

interpret operating mode, conversion to code 39 disabled, output level normal, idle level normal, minimum output pulse 600 µs, overflow medium, inter-block delay disabled.

### CODE SELECTION

#### Enabled codes

- EAN 8/EAN 13 / UPC A/UPC E without ADD ON check digit transmitted, no conversions
- Interleaved 2/5 check digit control and transmission, variable length code; 4-99 characters
- Standard Code 39 no check digit control, variable length code; 1-99 characters
- Code 128 variable length code; 1-99 characters

#### Disabled codes

EAN 128, ISBT128, Code 93, Codabar, pharmaceutical codes, MSI, Code 11, Code 16K, Code 49, GS1 DataBar™ Codes

## TECHNICAL FEATURES

### PowerScan® D8330/ D8330 AR

Electrical Features	PowerScan® D8330	PowerScan® D8330 AR
Power Supply	4 to 30 VDC	
Max. Consumption:	0.076 mm (3 mils)	0.25 mm (10 mils)
@ 4V	420 mA	500 mA
@5V	310 mA	370 mA
@30V	62 mA	70 mA
Sleep mode	4 mA	4 mA
Scan Rat	35 ± 5 scans/sec	
Reading Indicators	Good Read LED (green) Good Read Spot (green), Beeper	
<b>Optical Features</b>		
Reading Field (Typical performance at 20°C / 68°F on high quality barcodes)	110 cm (43.3 in) @ 55 mils	1090 cm (429.13 in) @ 100 mils reflective
Max. Resolution	0.076 mm (3 mils)	0.178 (7.5 mils)
PCS (Datalogic Test Chart)	15%	25%
<b>Laser Features</b>		
Power (max)	0.9 mW	1.3 mW
Scan Angle	42°	13.5° ± 0.7
Laser Safety Class	Class 2 EN 60825-1/CDRH	
<b>Environmental Features</b>		
Working Temperature	-30 °C to + 50 °C / -22° to +122 °F	
Storage Temperature	-30 °C to + 70 °C / -22° to +158 °F	
Humidity	90% non condensing	
Drop Resistance	IEC 68-2-32 Test ED 2 m	
Protection Class	IP65	
<b>Mechanical Features</b>		
Weight (without cable)	about 295 g (10.4 oz)	
Cable Length	2 m (6 ft 6 in)	

## RESTORE DEFAULT

### RESTORE DEFAULT



To change the defaults refer to the PowerScan® D8330/M8330 Reference Manual, or to the Datalogic Aladdin™ Configuration program, both downloadable from the website.

## INTERFACE SELECTION

Select one of the interface codes according to your application.

### USB INTERFACE SELECTION

USB-KBD



USB-KBD-ALT-MODE



USB-COM\*



USB-IBM-Hand Held



USB-IBM Table top



USB KBD-APPLE



\* When configuring USB-COM, the relevant files and drivers must be installed from the USB Device Installation software, which can be downloaded from the web site <http://www.scanning.datalogic.com>.

### PEN EMULATION INTERFACE SELECTION

PEN



### RS-232 INTERFACE SELECTION

RS-232 Standard



Nixdorf Mode A



Fujitsu



ICL Mode



### WEDGE INTERFACE SELECTION

Wedge IBM AT or PS/2 PCs



PC Notebook



PC Notebook - ALT mode



IBM AT - ALT mode



Interface for IBM XT and IBM Terminals 3151, 347X and 348X can be selected from the PowerScan D8330/M8330 Reference Manual available online at <http://www.scanning.datalogic.com>.

## KEYBOARD NATIONALITY

USB-KBD and Wedge users should select one of the following wedge keyboard nationality codes according to the keyboard.

Belge



Deutsch



English



Français



Español



Italiano



Svenskt



USA (Default)



The following Keyboard Nationality selections are only valid for IBM AT compatible PCs:

Japanese



Russian (Latin)



Russian (Cyrillic)



Hungarian



Slovenian, Croatian, Serbian (Latin)



Romanian

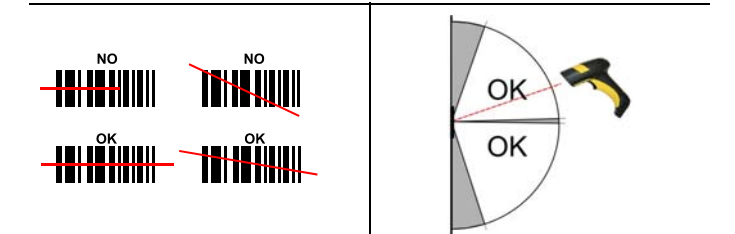


Czech Republic



## USING POWERSCAN® D8330/D8330 AR READERS

PowerScan® D8330 readers automatically scan barcodes **at a distance**. Simply aim and pull the trigger. Code scanning is performed along the scan line emitted from the reading window. This line must cross the entire code. The best reading angles are indicated in the figure below.



## AIMING SYSTEM



PowerScan® D8330 and PowerScan® D8330 AR provides an aiming system. If enabled, a partial trigger press produces a red spot, which should be aimed over the code center to get the best reading performance (see figure above, ①). By completely pressing the trigger the scan line appears to start code scanning ②.

After setting up the reader, you can enable or disable the aiming system by reading the codes below:

Disable Aiming System (Default)



Enable Aiming System



## DATA FORMAT TERMINATORS

For your convenience, some common Terminators are given below. For other Header/Terminator selections, Data Format and Advanced Data Format parameters, see the PowerScan® D8330/M8330 Reference Manual.

CR-LF



Enter



Tab



None



## OPERATING TEST

Read the TEST code below.

