

ACUMAX® sealed maintenance-free lead-acid battery AML series



AML 95-12

Sealed, maintenance free, lead-acid **ACUMAX®** batteries with a **10 - 12 years** designed lifetime are made in **AGM** technology - electrolyte is absorbed in highly porous fiber glass separators placed between the plates. They use a gas recombination cycle which prevents electrolyte loss and allows the batteries to be used in rooms without forced ventilation, that are occupied by people. One-way, self-regulating pressure relief valves prevent the case from blowing up, by preventing excessive buildup of pressure in the cells.

- uninterruptible power supplies
- telecom power supply systems
- telecommunication PABX
- power station
- fire and security systems
- solar powered systems
- emergency lighting systems
- cable TV

Main applications

- marine
- golf-carts, wheelchairs
- mobile and portable equipment
- medical equipment

Technical data

| | |
|-----------------------------|--|
| Nominal voltage | 12 V |
| Nominal capacity | 95 Ah/ C ₂₀ |
| Design life | 8 years @ 25°C 10-12 years @ 20°C according to Eurobat, Long Life group |
| Weight | ~ 27.4 kg |
| Dimensions | |
| Height | 210 mm |
| Length | 305 mm |
| Width | 168 mm |
| Internal resistance | ≤ 4.0 mΩ |
| Charging voltage @ 25°C | |
| Standby use | 13.65 V ± 0.15 V |
| Cycle use | 14.70 V ± 0.30 V |
| Charging current | |
| Recommended | 9.5 A |
| Maximum | 28.5 A |
| Max. discharge current (5s) | 1425 A |
| Container material | |
| Standard | ABS UL 94-HB |
| Optional (Flame-retardant) | ABS UL 94-V0 |

Battery approved for transportation by air, sea or land. Classified as non-hazardous material: *IATA/ICAO Special Provision A67, DOT-CFR Title 49 parts 171-189, IMDG amendment 27.*

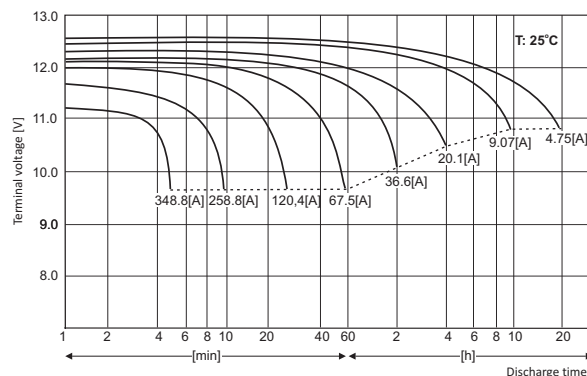
Constant current discharge (Current [A], 25 [°C] / 77 [°F])

| U _f [V/cell] | Discharge time | | | | | | | | | | | | | |
|----------------------------|----------------|--------|--------|-------|--------|--------|------|------|------|------|------|------|------|------|
| | 5 min | 10 min | 15 min | 20min | 30 min | 45 min | 1h | 2h | 3h | 4h | 5h | 6h | 8h | 10h |
| 1,80 | 234,8 | 190,7 | 158,5 | 133,1 | 100,7 | 73,4 | 59,2 | 35,0 | 25,1 | 19,8 | 16,3 | 14,0 | 10,9 | 9,07 |
| 1,75 | 262,2 | 209,2 | 171,4 | 142,2 | 105,8 | 76,7 | 61,6 | 35,8 | 25,7 | 20,1 | 16,7 | 14,3 | 11,2 | 9,25 |
| 1,70 | 290,7 | 226,9 | 182,4 | 151,3 | 111,2 | 80,1 | 63,5 | 36,6 | 26,2 | 20,6 | 17,1 | 14,6 | 11,4 | 9,43 |

Constant power discharge (Power [W/cell], 25 [°C] / 77 [°F])

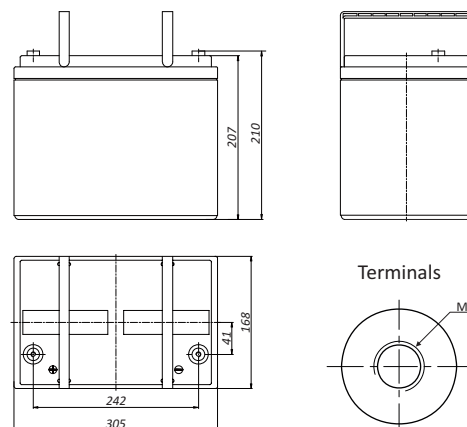
| U _f [V/cell] | Discharge time | | | | | | | | | | | | | |
|----------------------------|----------------|--------|--------|-------|--------|--------|-------|------|------|------|------|------|------|------|
| | 5 min | 10 min | 15 min | 20min | 30 min | 45 min | 1h | 2h | 3h | 4h | 5h | 6h | 8h | 10h |
| 1,75 | 499,6 | 401,3 | 330,8 | 276,0 | 206,7 | 150,7 | 121,6 | 71,1 | 51,3 | 40,3 | 33,5 | 28,9 | 22,7 | 18,8 |
| 1,70 | 547,6 | 430,4 | 348,0 | 290,7 | 214,9 | 155,8 | 124,3 | 72,1 | 52,0 | 41,1 | 34,1 | 29,2 | 23,0 | 19,1 |
| 1,67 | 600,7 | 457,2 | 370,3 | 304,6 | 223,9 | 160,4 | 127,2 | 73,1 | 52,7 | 41,6 | 34,4 | 29,6 | 23,3 | 19,3 |

U_f - Final voltage



Discharge characteristics

Dimensions



Tolerance: +/- 2mm;