

EUROPOWER sealed lead-acid battery EC type

FOR CYCLE USE!

● Specification & Characteristics

Model		EC 7-12
Nominal voltage		12 [V]
Rated capacity		7 [Ah] / 20 [hr]
Dimensions	Container Height	98 [mm]
	Length	151 [mm]
	Width	65 [mm]
Weight		approx. 2,6 [kg]
Capacity 25 [°C]	20 [hr] 0,35 [A]	7,0 [Ah]
	10 [hr] 0,665 [A]	6,65 [Ah]
	5 [hr] 1,19 [A]	5,95 [Ah]
	30 [min] 7,0 [A]	3,5 [Ah]
Internal resistance		< 25 [mΩ]
Max. Discharge current		105 [A] (5 [s])
Charging voltage 20 [°C]	Standby use	13,5 to 13,8 [V] (-20 [mV/°C])
	Cycle use	14,4 to 15 [V] (-30 [mV/°C])
Max. Charging current		2,1 [A]
Recommended charging current		0,7 [A]

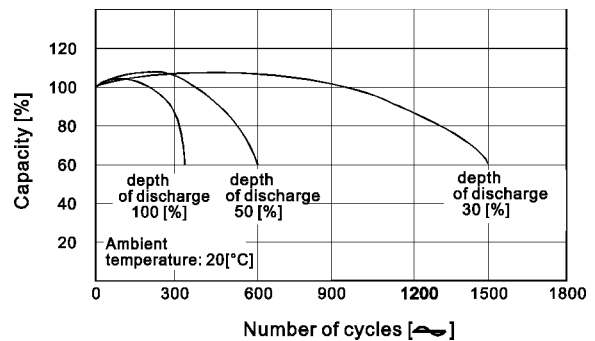
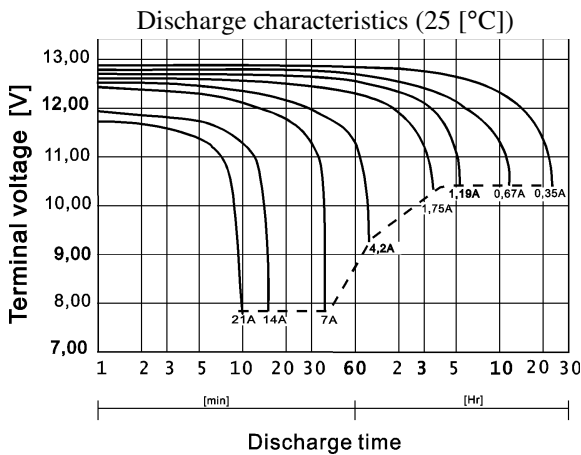
EC 7-12

EUROPOWER batteries are made in AGM technology, constructed by plates, separators, safety valves and container. Since the electrolyte is held by a glass-mat separator and plates, batteries can use in any direction without leakage.

EC types batteries have been designed for **cycle use** (repeated cycles of discharging/charging). They sustain for **50 % cycles more** than EP types batteries.

Typical applications of EC types batteries:

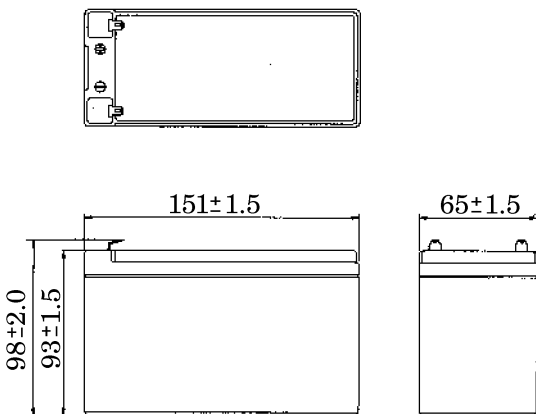
- measuring instruments,
- mobile and portable light sources,
- wheelchairs,
- solar powered systems,
- motor scooters, mowing machines, toys, robots,



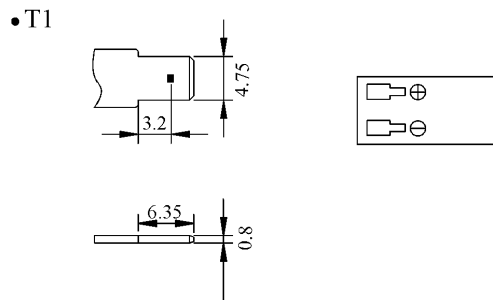
etc...

Battery life characteristics of cycle use

● Dimensions



● Terminal type & position



Mark	Type	Date of issue	Change number	Date of change
EUROPOWER	EC 7-12	20.05.2003	0	-