

Design Life
10 Years!



EUROPOWER

Sealed lead-acid battery EPL type

EPL 125-12FT

● Characteristic

EUROPOWER batteries are made in AGM technology, constructed by plates, separators, safety valves and container. Since the electrolyte is held by a glass-mat separator and plates, batteries can use in any direction without leakage.

EPL type batteries have been designed for standby use, with **10 years** designed life.

Front terminal connections for fast and easy installation and maintenance.

Battery design allows for 48VDC configuration in a standard 19" and 23" rack.

● Specification & Characteristics

Model		EPL 125-12FT
Nominal voltage		12 [V]
Rated capacity		125 [Ah] / 8 [h]
Dimensions	Height	255 [mm]
	Length	560 [mm]
	Width	125 [mm]
Weight		~ 46.4 [kg]
Internal resistance		< 2.9 [m]
Capacity 25 [°C]	0 [h]	127.5 [Ah]
	8 [h]	125 [Ah]
	1 [h]	82.5 [Ah]
Max. Discharge current		875 [A] (5 [s])
Charging voltage 20 [°C]	Standby use	13,5 to 13,8 [V]
	Cycle use	14,5 to 15,0 [V]
Recommended charging current		12.5 [A]
Max. Charging current		37.5 [A]

● Typical applications:

- DC telecom power supply systems
- GSM base stations

ENERGETICS

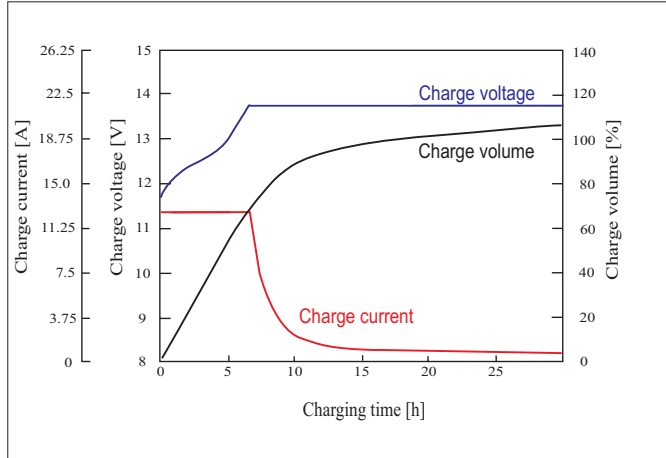
TELECOM

INDUSTRY

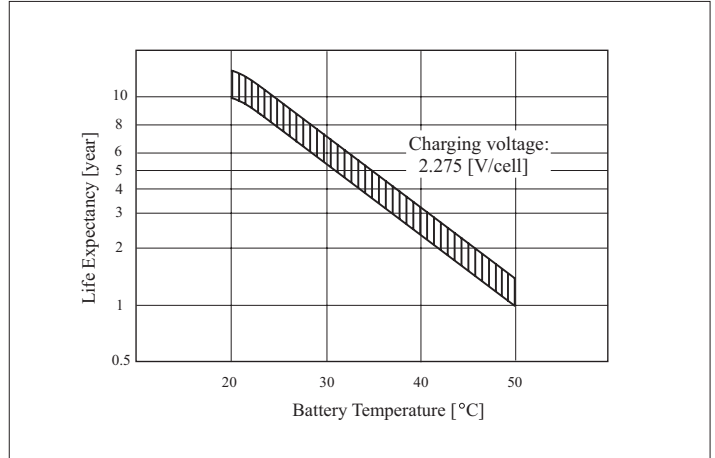


Mark	Type	Date of issue	Change number	Date of change
EUROPOWER	EPL 125-12FT	19.11.2004	0	-

● Battery charging characteristics



● Effect of temp. on long term float life



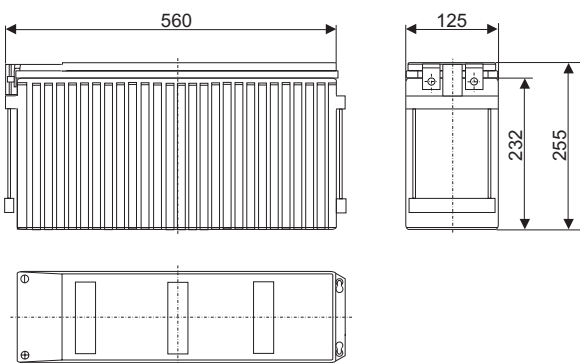
● Constant current discharge data (Current [A], 25 [°C])

Final discharge voltage [V/cell]	Discharge time												
	1 h	2 h	3 h	4 h	5 h	6 h	8 h	10 h	12 h	20 h	24 h	72 h	100 h
1,90	69,3	43,0	30,8	24,8	20,8	17,9	14,1	11,5	9,79	6,19	5,18	1,80	1,35
1,85	76,7	47,5	33,6	26,7	22,4	19,3	15,2	12,4	10,6	6,67	5,58	1,94	1,46
1,80	80,0	49,0	34,7	27,2	22,9	19,7	15,5	12,6	10,8	6,81	5,69	1,98	1,49
1,75	82,5	50,0	35,0	27,5	23,1	19,9	15,6	12,8	10,9	6,88	5,75	2,00	1,50
1,70	84,2	50,5	35,3	27,7	23,3	20,0	15,6	12,8	10,9	6,88	5,75	2,00	1,50
1,65	85,0	51,0	35,6	27,9	23,3	20,1	15,6	12,8	10,9	6,88	5,75	2,00	1,50

● Constant power discharge data (Power [W/cell], 25 [°C])

Final discharge voltage [V/cell]	Discharge time												
	1 h	2 h	3 h	4 h	5 h	6 h	8 h	10 h	12 h	20 h	24 h	72 h	100 h
1,90	135,7	84,9	61,4	49,5	41,6	35,8	28,2	23,0	19,6	12,4	10,4	3,60	2,70
1,85	150,3	93,8	66,9	53,4	44,9	38,6	30,3	24,7	21,1	13,3	11,2	3,88	2,92
1,80	156,7	96,8	69,0	54,5	45,8	39,4	30,8	25,2	21,5	13,6	11,4	3,96	2,98
1,75	161,6	98,8	69,7	55,0	46,3	39,8	31,3	25,5	21,8	13,8	11,5	4,00	3,00
1,70	164,8	99,7	70,4	55,3	46,5	40,0	31,3	25,5	21,8	13,8	11,5	4,00	3,00
1,65	166,5	100,7	70,8	55,8	46,7	40,1	31,3	25,5	21,8	13,8	11,5	4,00	3,00

● Dimensions [mm]



● Terminal Type [mm]

