

BP 40-12

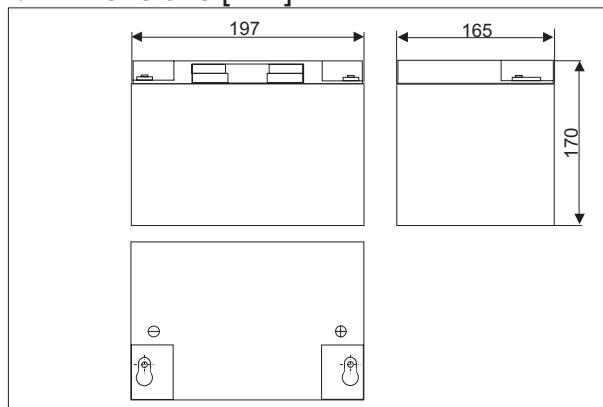
◆ Physical Specification

● Nominal Voltage	: 12 [V]
● Nominal Capacity (20 h)	: 40 [Ah]
● Dimensions	
Height	: 170 [mm]
Length	: 197 [mm]
Width	: 165 [mm]
● Weight	: ~14.5 [kg]
● Container Material	: UL94HB ABS : UL94V-0 ABS
● Internal Resistance (25 [°C])	: ~8 [mΩ]
● Discharge Capacity under different Temperatures	
40 °C	: ~102%
25 °C	: ~100%
0 °C	: ~85%

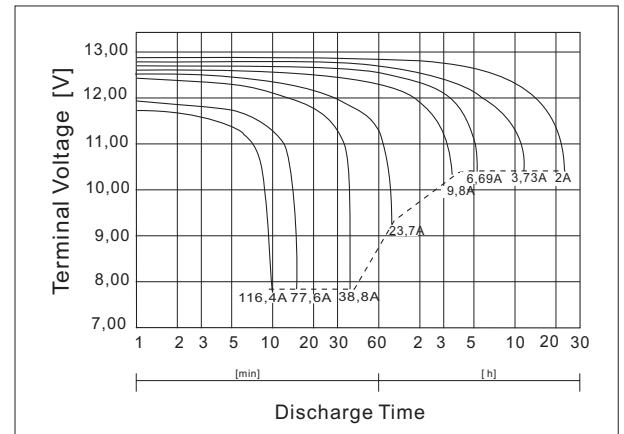
◆ Electrical Specification

● Capacity 25 [°C]	
20 [h] @ 2 [A]	: 40 [Ah]
5 [h] @ 6.69 [A]	: 33.45 [Ah]
1 [h] @ 24.8 [A]	: 24.8 [Ah]
1 [C] @ 40 [A]	: 23.3 [Ah]
● Charging Voltage 25 [°C]	
Standby Use	: 13.65 [V] ± 0.15 [V]
Cycle Use	: 14.7 [V] ± 0.3 [V]
● Max Discharge Current	: 400 [A] (5 s.)
● Max Charging Current	: 12 [A]
● Self-Discharge Residual Capacity	
After 3 Months	: ~90%
After 6 Months	: ~82%
After 12 Months	: ~70%

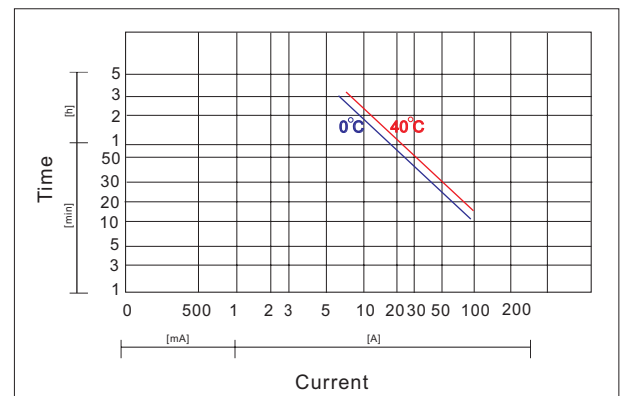
◆ Dimensions [mm]



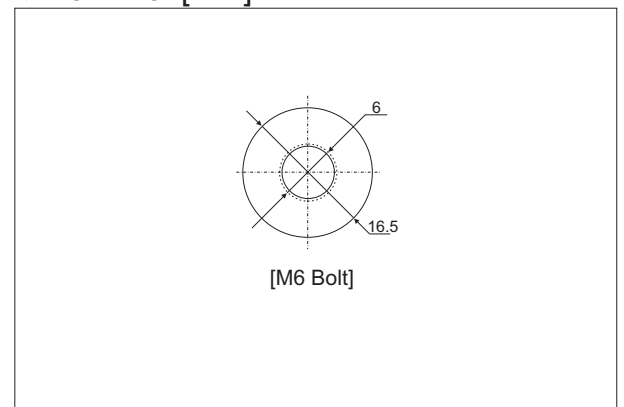
◆ Discharge Characteristics (25 [°C])



◆ Discharge Current & Discharge Duration Time



◆ Terminal [mm]



Mark	Type	Date of issue	Change number	Date of change
ALARMTEC	BP 40-12	24.01.2005	0	-