

### OF50 INSTRUCTION MANUAL

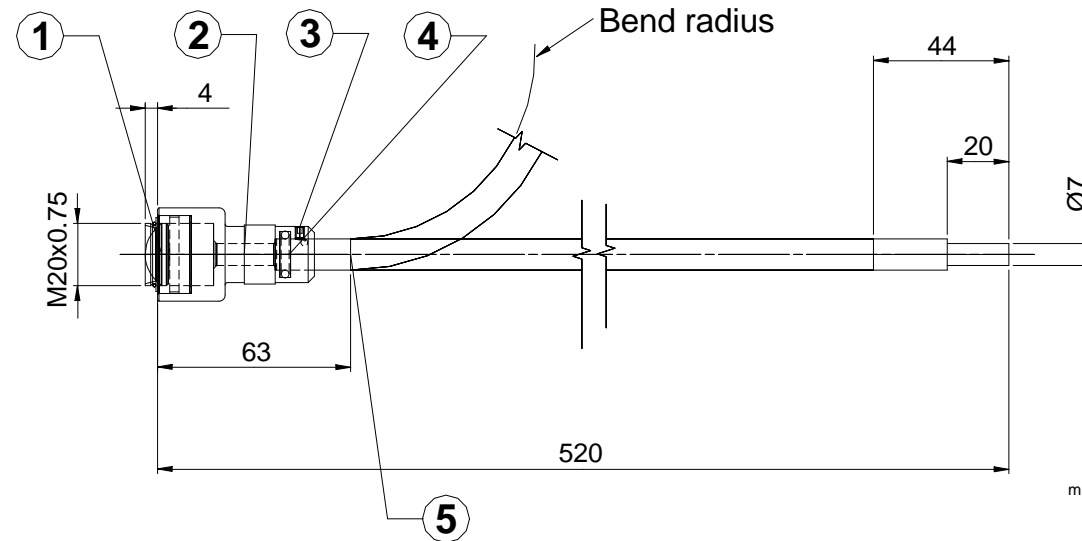
The OF50 fibre-optic is an accessory for the LD $\mu$  luminescence detector series.

### INSTALLATION

To install the OF50 proceed as follows:

- Disconnect the power supply of the sensor.
- Replace the sensor lens with the fibre adapter.
- Insert the fibre-optic into the adapter; the first insertion resistance is due to the O-ring seal; please continue to insert the fibre until it reaches the mechanical stop.
- Fix the fibre-optic to the adapter using the setscrew wrench included in the package.

The fibre is made of a liquid solution enclosed in a plastic covering; for a correct functioning of the fibre the bend radius must be greater than 60mm; don't twist or stretch the fibre.



- ① Lens
- ② Adapter
- ③ Setscrew
- ④ O-ring
- ⑤ Fibre-optic

### TECHNICAL DATA

Operating and storage temperature:	-5 ... +60°C
Covering material:	Plastic
Tip material:	Brass Chrome plated
Adapter material:	Aluminium anodized
Bend radius:	Minimum 60mm
Protection class:	IP64
Weight:	100 g.

**Datalogic S.r.l.**  
Via S. Vitalino 13 - 40012 Calderara di Reno - Italy  
Tel: +39 051 3147011 - Fax: +39 051 3147205 - [www.datalogic.com](http://www.datalogic.com)

Helpful links at [www.datalogic.com](http://www.datalogic.com): **Contact Us, Terms and Conditions, Support.**

The warranty period for this product is 36 months. See General Terms and Conditions of Sales for further details.



Under current Italian and European laws, Datalogic is not obliged to take care of product disposal at the end of its life. Datalogic recommends disposing of the product in compliance with local laws or contacting authorised waste collection centres.

© 2006 - 2017 Datalogic S.p.A. and/or its affiliates • ALL RIGHTS RESERVED. • Without limiting the rights under copyright, no part of this documentation may be reproduced, stored in or introduced into a retrieval system, or transmitted in any form or by any means, or for any purpose, without the express written permission of Datalogic S.p.A. and/or its affiliates. Datalogic and the Datalogic logo are registered trademarks of Datalogic S.p.A. in many countries, including the U.S.A. and the E.U. All other trademarks and brands are property of their respective owners. Datalogic reserves the right to make modifications and improvements without prior notification.

### READING DIAGRAM

